

FEATURES

- HIGH RELIABILITY FOR LOW COST
- ULTA LOW PROFILE
- OPERATING TEMPERATURE RANGE OF -40/+85°C
- EXCELLENT CLOCK SIGNAL GENERATUR FOR CPU'S



MINIATURE SMD-WATCH-CRYSTAL SERIES	M4819
PACKAGE DIMENSIONS	see drawing
FREQUENCY	32.768 kHz
FREQUENCY TOLERANCE AT 25°C	+20 ppm (standard) / +10 ppm (option)
LOAD CAPACITANCE	12.5 pF (standard) / 6 pF, 7 pF and 9 pF available on demand
SERIES RESISTANCE	65 kΩ max.
OPERATING TEMPERATURE RANGE	-40/+85°C
STORAGE TEMPERATURE RANGE	-55/+125°C
TWO DIMENSIONAL TEMPERATURE CONSTANT	-0.04 PPM/°C ²
TURNOVER TEMPERATURE	+25°C +5°C
DRIVE LEVEL	0.5 μW max.
SHUNT CAPACITANCE C0	1.3 pF typical
MOTIONAL CAPACITANCE C1	2.0 fF typical
AGING	+3 ppm max. per year
DELIVERY FORM	Tape and Reel (1.000 pcs per reel)

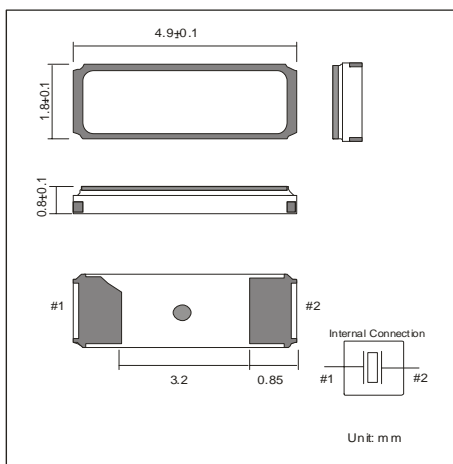
OTHER PARAMETERS ARE AVAILABLE ON REQUEST / CREATE HERE YOUR SPECIFICATION

PART NUMBERING SYSTEM

EXAMPLE	M4819 32.768 kHz +20 ppm -40/+85°C 12.5pF
----------------	---

PACKAGE	M4819
FREQUENCY	32.768 kHz
FREQUENCY TOLERANCE AT 25°C	REQUIRED VALUE
TEMPERATURE RANGE	-40/+85°C standard
LOAD CAPACITANCE	REQUIRED VALUE

OUTLINE DRAWING



RECOMMENDED LAND PATTERN

